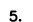


OUTLINE FOR ASCO 300 SERIES TRANSFER SWITCHES (D3ATS/D3NTS) 30-230 AMPERES, TYPE 3R/4/4X/12 ENCLOSURE

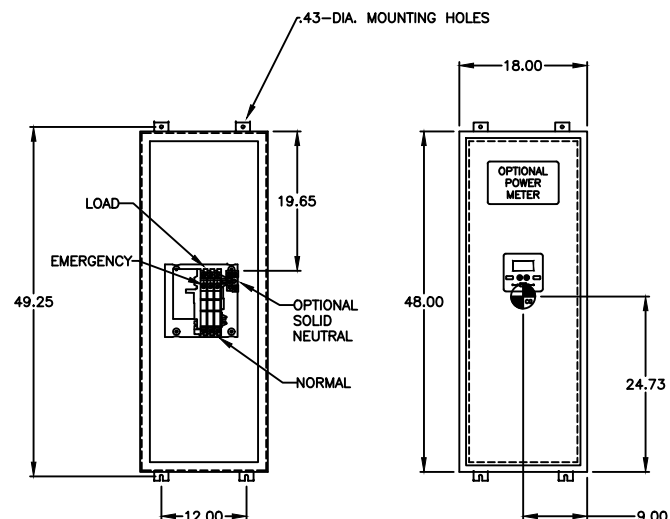
GENERAL NOTES

1. TYPE 3R/4/4X/12 WALL MOUNTED ENCLOSURE.
2. STANDARD FINISH TYPE 3R/4/12: ANSI 61 GRAY, POLYESTER POWDER STANDARD. UL RECOGNIZED. OTHER ANSI COLORS AVAILABLE CONSULT FACTORY.
TYPE 4X (U): EXTERIOR CONSTRUCTED OF CODE GAUGE TYPE 316 STAINLESS STEEL.
TYPE 4X (H): EXTERIOR CONSTRUCTED OF CODE GAUGE TYPE 304 STAINLESS STEEL.
TYPE 4X FINISH PAINTED OR UNPAINTED, SMOOTH BRUSHED.
3. SINGLE DOOR, RIGHT SIDE HINGE, LEFT SIDE PADLOCK HASP, PLATED DOOR CLAMPS (LEFT SIDE FOR TYPES 3R & 12; LEFT, TOP & BOTTOM FOR TYPE 4,4X).
4. TERMINALS - SCREW TYPE LUGS FOR EXTERNAL POWER CONNECTIONS.
5.  = CENTER OF GRAVITY.
6. THREE POLE SWITCH WITH SOLID NEUTRAL SHOWN FOR REFERENCE.
7. NEUTRAL CONFIGURATIONS:

AN OPTIONAL FULL RATED NEUTRAL CONFIGURATION FOR EACH SOURCE AND THE LOAD MAY BE PROVIDED. WHEN EQUIPPED IT IS IN ONE OF THE FOLLOWING FORMATS AS SPECIFIED BY THE CATALOG NUMBER NO. NEUTRAL TYPE:
(A) SOLID (COPPER BUS) NEUTRAL
(B) SWITCHED NEUTRAL POLE

SWITCH RATING (AMPS)	RANGE OF WIRE
30-150	(1) #14 TO 4/0 AWG AL-CU WIRE
200-230	(1) #14 TO 4/0 AWG COPPER WIRE

GROUND LUG MOUNTING STUDS



LEFT SIDE

FRONT VIEW WITHOUT DOOR

FRONT VIEW WITH DOOR

RIGHT SIDE

BOTTOM VIEW

KNOCKOUTS: LEAVE INTACT FOR TYPE 12 REMOVE FOR TYPE 3R NOT AVAILABLE ON TYPE 4,4X

C	202645	ENR	ENC	20/11/16
B	207104	TR	ENC	20/23/16
A	202300	FE	ENC	12/22/14
	248072	ENR	ENC	12/21/13

PROPERTY NAME: _____

COMPOSITE OUTLINE
300 SERIES, D3ATS/D3NTS RATED 30-230 AMPERES
TYPE 3R/4/4X/12 ENCLOSURE

DATE OF DRAW: 10/17/13
DRAWN BY: DS
CHECKED BY: 10/21/13
SCALE: _____

ASCO Power Technologies, L.P.
262845

978723-003
1 OF 1