

ASCO 185 SERIES AUTOMATIC & MANUALLY OPERATED POWER TRANSFER SWITCHES RATED 100, 200, & 230 AMPERES, 240 VAC, SINGLE PHASE/3 WIRE

D

C

B

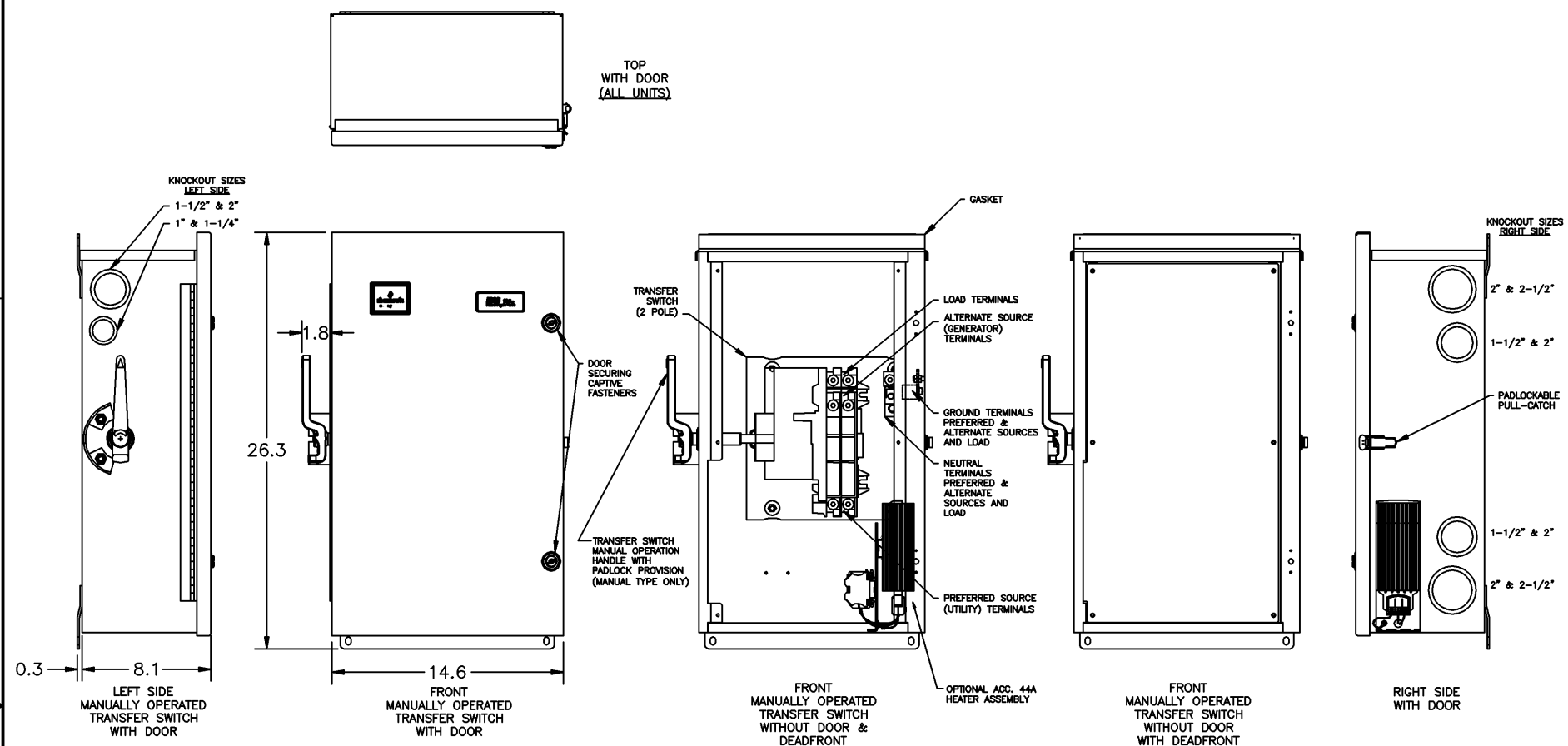
A

D

C

B

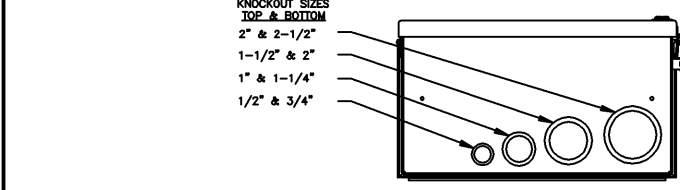
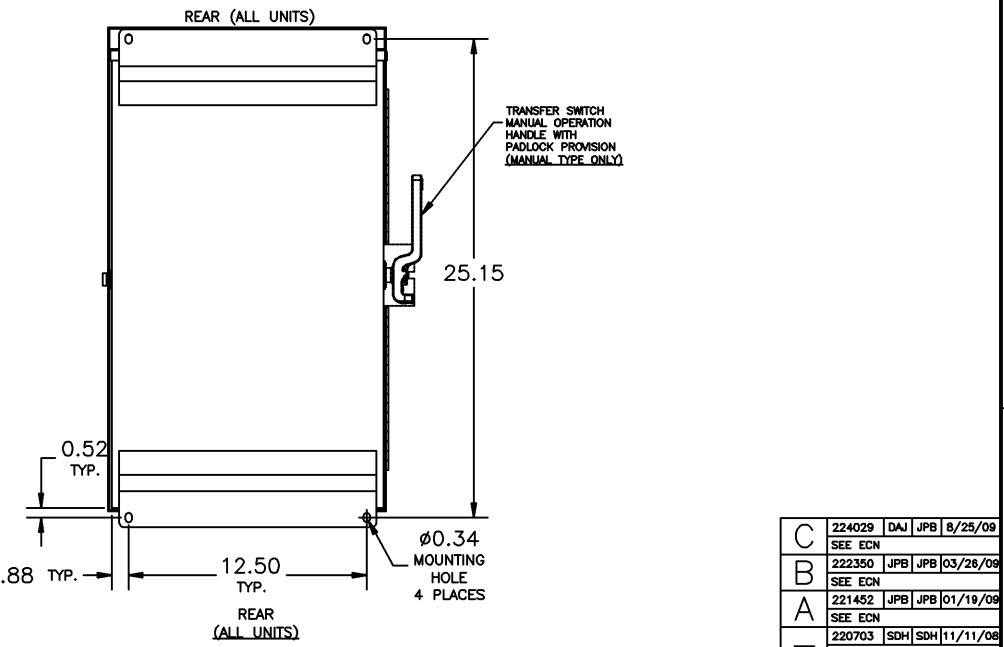
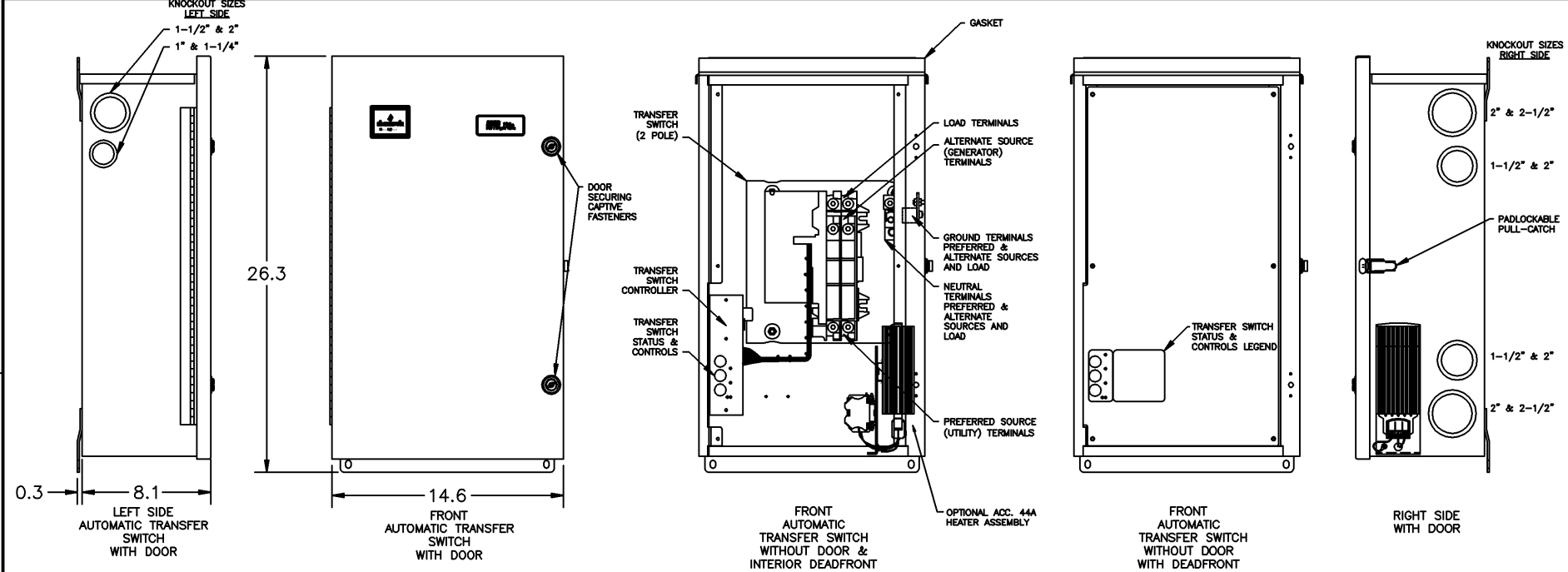
A



NOTES:

- Automatic & Manually Operated Power Transfer Switch: ASCO D185, 2 pole, 100, 200, & 230 amperes, 240 vac. Listed to UL 1008, Standard for Transfer Switching Equipment. For use on Optional Standby Systems as defined by NFPA 70 (National Electrical Code (NEC), Article 702).
Transfer Controller (Automatic Type Only) – Group 4 Automatic Transfer Switch Controller including:
(Refer to 185 Series Operator's Manual, PN 381333-319, supplied with the transfer switch for detailed information)
User Controls & Status Indication
Load on Preferred Source (Utility) LED indicator – green
Load on Alternate Source (Generator) LED indicator – red
Preferred Source (Utility) Acceptable LED indicator – green
Alternate Source (Generator) Acceptable LED indicator – red
Automatic Engine-Generator Exerciser (Setting & Engine Running) LED indicator
Transfer Test membrane pushbutton
Bypass Time Delay (active time delay or engine-generator exercise period) membrane pushbutton
Set Engine Exerciser membrane pushbutton
Time Delays
Override Momentary Preferred Source (Utility) Outages – Factory set at 3 seconds
Transfer to Alternate Source (Generator) – Factory set at 10 seconds
Override Momentary Alternate Source (Generator) Outages – Factory set at 4 seconds
Retransfer to Preferred Source (Utility) – 5 minutes/fix
Engine-Generator Unloaded Running (Cooldown) Period – Factory set at 5 minutes
Control Signals
Engine-Generator Automatic Starting Controls – (1) form C contact
Remote Controls (Using Customer Supplied Contacts)
Remote Test Feature
Remote Test with Automatic Retransfer to Preferred Source (Utility) Feature
Bypass Time Delay on Retransfer to Preferred Source (Utility) Feature

External Manual Transfer Operator (Manual Type Only) – Quick Make/Quick Break Operator for manual load transfer.
Includes padlocking provision of operating handle.
- Enclosure: Listed to UL 50 Standard for Enclosures for Electrical Equipment. Type 3R Outdoor. 12 gauge aluminum alloy. Finish – RAL 7035 Light Gray Polyester Powder Coating.
- Neutral & Equipment Ground Terminations – Provided for Preferred (Utility) & Alternate (Generator) Sources and Load
- Conductor Sizes – 100 amps: (1) #14 AWG to 4/0 AWG Al or Cu. 200 & 230 amps: (1) #14 AWG to 4/0 AWG Cu ONLY.



REV. TO SHEET	REV. NO.	BY	APP.	DATE
PROJECT NAME:		185 SERIES, TYPE 3R ENCLOSURE		
OUTLINE & MOUNTING		185 SERIES (100, 200, & 230 AMPERES)		
AUTOMATIC & MANUALLY OPERATED POWER TRANSFER SWITCHES		THIRD ANGLE PROJECTION		
DRAWN BY	DATE	MANUFACTURING TOLERANCES TO BE IN ACCORDANCE WITH ASCO PROCEDURE MP-1-003. FOR PLASTIC PARTS SEE MP-1-005	ASSEMB. REF. NO.	COMPUTER GENERATED DRAWING
SDH	11/08			SCALE: 4 7/8 SIZE: DS
CHECKED		PROPERTY OF ASCO POWER TECHNOLOGIES. USE PERMITTED FOR OUR WORK ONLY. ALL RIGHTS OF DESIGN OR INVENTION ARE RESERVED.		DWG. NO. 844557-001
APPROVAL				DRAWING C. EGN 224029 SHEET 10F1
FINAL APPROVAL	SDH 11/08	ASCO POWER TECHNOLOGIES, LP.		
		FLORHAM PARK, NEW JERSEY 07932 U.S.A.		